

AQUAPRO

CREATE A BIT OF BRILLIANCE IN YOUR OWN BACKYARD

AP3100DW / AP6100DW FILTRATION & WATERFALL PUMP - INSTRUCTIONS -



MODEL
02AD940
02AD960
DATE
SEP 2019 v1.0

HOTLINE 1300 278 283 PHONE +61 (8) 6260 1000
EMAIL SALES@AQUAPROONLINE.COM.AU

WWW.AQUAPROONLINE.COM.AU



AQUAPRO

CONGRATULATIONS ON YOUR PURCHASE
OF THIS PRODUCT BY **AQUAPRO**.

TECHNICAL SPECIFICATIONS

DESCRIPTION	AP3100DW	AP6100DW
MAXIMUM WATER FLOW	3100L/H	6000L/H
MAXIMUM HEAD	2.5M	4.0M
POWER CONSUMPTION*	25W	55W
VOLTS	220 - 240V	220 - 240V
IP RATING	IPX8	IPX8
FREQUENCY	50HZ AC	50HZ AC
CABLE LENGTH	10M	10M
INLET Ø BSP THREAD	1IN(MALE)	1IN(MALE)
OUTLET Ø BSP THREAD	1IN(MALE)	1IN(MALE)
SWIVEL JOINT OUTLET & STEPPED HOSETAIL - 40MM / 32MM / 25MM	YES	YES
RECOMMENDED TUBING SIZE (MM) ID	25MMØ	32MMØ
RECOMMENDED PRESSURE FILTER	AP5000UV	N/A
PRODUCT ORDER CODE	02AD940	02AD960

* SUBJECT TO VARIATION ACCORDING TO LOAD.

Please read these instructions and familiarise yourself with the equipment before placing it in service. Correct and safe use of the system requires strict compliance with the safety instructions. For safety reasons persons less than 16 years of age or people that are not familiar with these instructions should not use this equipment.

FEATURES

THE AQUAPRO FILTRATION & WATERFALL PUMPS HAVE BEEN MANUFACTURED WITH ADVANCED TECHNOLOGY TO PROVIDE YOU WITH THE BEST QUALITY PUMPS FOR YOUR POND OR WATER FEATURE. VISIT OUR WEBSITE TO VIEW OUR RANGE OF POND FILTRATION, OUTDOOR/UNDERWATER LIGHTING, WATER TREATMENT AND GENERAL ACCESSORIES.

- **Variable Frequency Motor Technology** - extra high speed rotations of impellor.
- **Open Vane Impellor** - handles large particles up to 6mm (soft sediment).
- **Long life Impellor** - Ceramic shaft is wear resistant and self-lubricated by water
- **Energy Efficient** - Exceptional low power consumption to high water flow conversion.
- **Eco Friendly** - Exceptional low dB noise rating with low mechanical vibration.
- **Tool-less Assembly** - Easy maintenance. No special tools required.
- **Soft Start** - Impellor starts at low speed and increases over a short period of time. This reduces sudden recoil kick back on start up.

HOTLINE 1300 278 283 PHONE +61 (8) 6260 1000 EMAIL SALES@AQ

FILTRATION & WATERFALL PUMP INSTRUCTIONS

BENEFITS

AQUAPRO FILTRATION & WATERFALL PUMPS ARE SUITABLE FOR USE IN MANY DIFFERENT APPLICATIONS INCLUDING WATERFALLS AND BIOLOGICAL FILTER SYSTEMS. YOUR PUMP HAS A SINGLE MOVING PART (AN IMPELLER SET) ENABLING EASY CLEANING AND MAINTENANCE.

- The Pumps have intelligent circuitry analysing the speed and torque of the motor. It will increase and decrease the energy usage to maximise efficiency and flow. The soft start nature of the system helps to avoid sudden pressure surges causing pipes to blow off. If the Impellor gets jammed or stops, the circuitry will sense the problem and cut power automatically. This procedure will repeat 3 times. If the impellor is still jammed it will activate a prolonged low state till the pump is turned off and adequate maintenance is carried out. This minimises motor burnout due to electrical heat through lack of water flow through to the motor.
- The motor and electrical components are totally encapsulated in epoxy resin ensuring safe operation under water.
- The pump has a robust bearing and shaft design so no oil/grease lubrication is required.
- AQUAPRO Filtration & Waterfall Pumps are continuous rated therefore designed to be heavy-duty and operate 24/7.

IMPORTANT SAFEGUARDS

To guard against injury, basic safety precautions should be observed including, but not limited to the following:

- The pump should only be used in clean water. Do not use the pump in any solvent or gasoline that is flammable.
- Any damage of the equipment or unmerited operation will result in potential injury. If there is any damage to the equipment, it must not to be used. The equipment should be placed out of reach of children.
- For your own safety, disconnect from the power supply before any maintenance of any equipment is attempted on the tank or water body.
- Be sure the equipment is submerged completely in the water. The depth should not exceed 2m.
- Do not operate the pump if the appliance or any components of the system, such as the power cable, have been damaged.
- Always use a properly grounded power supply that is connected to an RCD with a rated residual operating current not exceeding 30mA. As per AS/NZS 3350.2.41:1997
- To avoid an electric shock do not attach the plug to the power supply socket with wet hands. On installation the drip loop method should be used to prevent water from traveling down the cable and onto the plug or power supply. If the plug does get wet do not unplug the cable. Immediately disconnect the circuit breaker that supplies power to the power supply point. Then unplug and examine the plug, and power supply point, for the presence of water. If the power point has become wet you should consult an electrician before using the power point again.
- Do not cut the cable as this will result in voiding your warranty.
- Do not install or store the appliance where it will be exposed to extreme hot or cold temperatures. Do not use in water above 35°C.
- Care should be taken to arrange the power cable so that it cannot be accidentally tripped over or pulled.
- Do not attempt to repair the electrical appliance yourself. Return to an authorised service centre or place of purchase if a fault occurs. Regular maintenance is not considered repair and is required by user.

AQUAPRO

PRODUCT SPECIFIC SAFEGUARDS

- The pump is designed to be used in a Fresh water Garden pond. It is not to be used in any other manner or purpose.
- AQUAPRO Filtration & Waterfall Pumps are cooled by water flowing through the inside of the motor body. If the pump flow becomes restricted it will overheat and could cause permanent damage.
- The pump needs to be cleaned regularly to prevent the pump becoming blocked, thus causing the pump to overheat and burn out. This is not a warrantable event. It is strongly recommended to select an appropriate sized pump for the pump the job required. The flow rate through the pump needs to be strong enough so half of the rated max flow is kept running at all times.

INSTALLATION - FILTER & WATERFALL PLUMBING GUIDE

- When used to supply water to a Biological filter, cascade, waterfall, ect; where a pipe is needed to be used, use the hosesails supplied in the package. For best results, use the tubing size recommended in the table under specifications at the beginning of this manual. Bigger tube size is always better depending on the pump flow rate.
- Select the hosesail required for your tubing size and evaluate which step on the hosesail will be used. If you are using 32mm hose and you are connecting it to the 40mm\32mm\25mm hosesail supplied, remember to saw off the smaller size connection (I.E.: 25mm step). Otherwise it will create a unnecessary restriction in the plumbing system.
- A omni-directional ball joint is provided for your convenience when used under water. Select the hosesail. Locate the O'ring washer and the locking nut of the hosesail. Slide the O'ring, then the locking nut over the hosesail, connect the threaded locking nut to the hosesail and screw in firmly. Now connect the adaptor to the pump outlet.
- Now connect the tubing to the hosesail. Remember to use Stainless Steel hose clamps to fasten the hose on to the hosesail. This is to ensure the pipe does not blow off at a later time or leak at this point in the plumbing system. Direct the hose in your desired direction. Connect tubing to the outlet.
- Place the pump in desired location. Ensure the pump is on a stable surface free of sludge, sand, and other debris. Do not place the pump directly on the pond floor or in mud. It is recommended to place the pump on a raised surface.

FILTRATION & WATERFALL PUMP

INSTRUCTIONS

CLEANING

- Begin by ensuring mains power supply is disconnected before attempting any maintenance or adjustment of the unit or the water body. Remove the unit from the water. If your unit is connected to a filter, the filters and sponges will clog up over time. Please clean regularly (at least once a month) to ensure strong water flow. Failure to maintain the unit will result in a burnt out motor and other damage.
- All AQUAPRO Filtration & Waterfall Pumps are water cooled. If pump becomes restricted, or blocked, it will overheat and could cause permanent damage. When the flow starts to be reduced, check and clean if necessary.
- The motor unit of the pump is encapsulated with epoxy resin and does not need lubrication. Regular inspections, cleaning and maintenance of impellor is necessary to ensure longer life. In the centre of the impellor you may notice a small hole opening through the ceramic shaft from front to back. It is paramount this portal is kept unblocked at all times. This is a cooling channel for the motor.
- Clean the housing and pump with a suitable brush taking care to clean off sludge, algae and debris.
- To maintain the impellor of the pump turn the Impellor Cover in an anti-clockwise direction as indicated by the arrow to the stop position. Then separate the impellor cover from the pump motor body.
- Lift out the impellor assembly. Take care not to break ceramic shaft. The black disc behind the blades is part of the entire impellor assembly. Clean the impellor with clean water and a suitable brush taking note to remove fine sediment on and around the back end of the impellor including the small hole through the ceramic shaft if it has one. Replace the impellor if necessary.
- Ensure to replace the O'ring in the correct place shown in the picture when reassembling the unit.

IMPORTANT NOTES

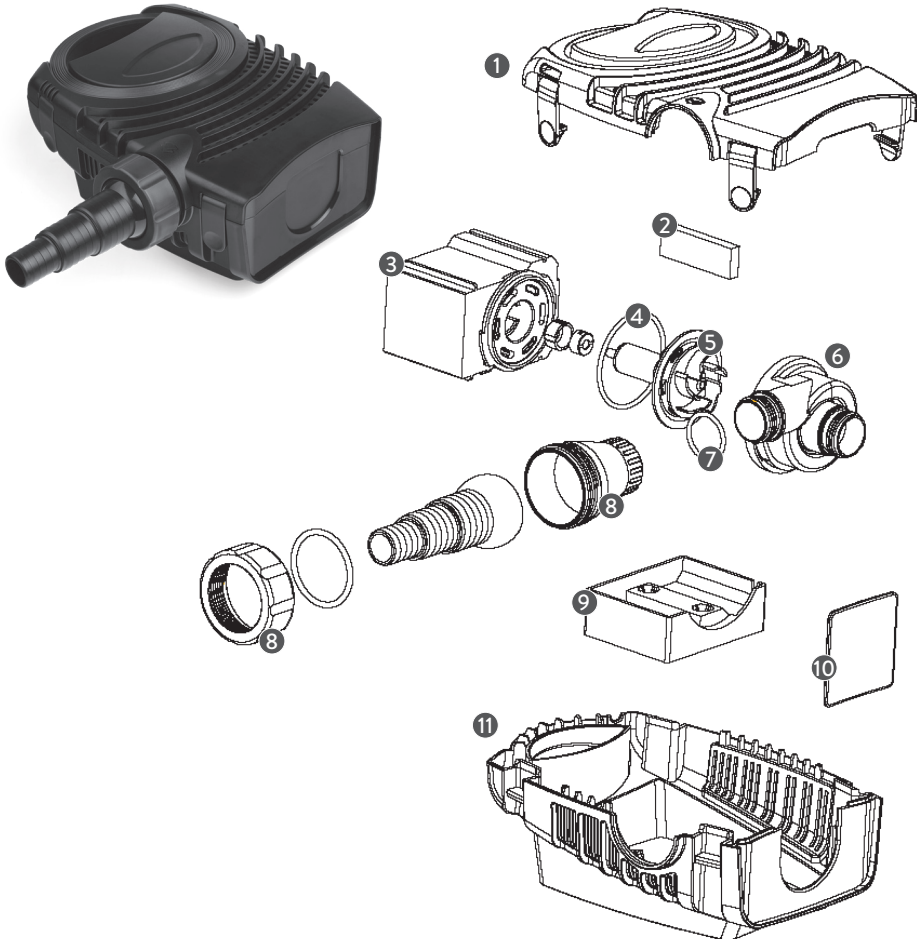
- It is important to ensure maintenance is carried out regularly as the cooling path inside the motor will become clogged. If the impellor assembly becomes worn or damaged it should be replaced (available from your dealer or special orders). Failure to do so may cause serious damage to pump. Inspect for signs for wear and tear. The impellor set is a wearing consumable part.
- Once the cleaning and inspection process is completed, reassemble in the reverse manner. Reinstall the impellor into the motor body. To place the Impellor O'ring around the black disc successfully, firmly hold the disc with one hand and using the other hand, stretch the O'ring over the disc positioning it carefully into the groove. Pay attention not to allow the O'ring (4) to roll forward in-between the black disc and the motor body. With the impellor in the correct position carefully place the impellor cover back on and then rotate clockwise back into position.
- For instructions for cleaning of optional Bio-filters check the website for further information. You can help boost the biological function of your filtration with a bacterial additive available from your local stockist.

AQUAPRO

PART DESCRIPTION

1. SLOTTED PUMP LID WITH CLIPS AND RING 2. LID TO MOTOR RUBBER SPACER
3. MOTOR BODY WITH CERAMIC BEARINGS 4. IMPELLOR COVER O'RING 5. IMPELLOR ASSEMBLY 6. IMPELLOR COVER 7. INLET & OUTLET O'RING SET 8. OMNI-DIRECTIONAL HOSETAIL WITH LOCKING NUT, THREADED ADAPTOR AND O'RING 9. MOTOR BODY MOUNTING BLOCK 10. CAGE INLET COVER 11. SLOTTED PUMP BASE

NOTE:
PLEASE CONSULT YOUR RETAILER FOR QUALITY ORIGINAL AQUAPRO REPLACEMENT PARTS FOR YOUR AQUAPRO PRODUCT.
VISIT WWW.AQUAPROONLINE.COM.AU FOR NEAREST STOCKISTS.



FILTRATION & WATERFALL PUMP

INSTRUCTIONS

TROUBLESHOOTING

PROBLEM	REASON	SOLUTION
WATER PUMP NOT WORKING	NO POWER	CHECK THAT THE PLUG IS CONNECTED AND TURNED ON
	SPONGES AND FILTER MEDIA BLOCKED WITH SLUDGE	CLEAN THE SPONGES AND FILTERS
	IMPELLOR IS BLOCKED WITH SLUDGE OR LIMESCALE	CLEAN THE IMPELLOR AS PER THE INSTRUCTIONS
	RUNNING WITHOUT SUFFICIENT WATER	SUBMERSE THE EQUIPMENT UNDERWATER THEN PLUG IN. REFILL IF NECESSARY.
WATER PUMP IS NOISY	BLOCKAGE IN PUMP	CLEAR THE BLOCKAGE
	IMPELLOR & SHAFT WORN OUT	REPLACE IMPELLOR & SHAFT
	IMPELLOR BROKEN	REPLACE IMPELLOR
	WATER VALVE CLOSED ON THE OUTLET	OPEN THE VALVE AND ALLOW WATER TO FLOW
	UNIT INLET IS BLOCKED OR THE WATER PUMP INLET IS BLOCKED	CLEAR ALL BLOCKAGES

SPARE PARTS (NOTE: THESE ARE THE MOST USED)

KIT NAME	DESCRIPTION	PART NO.	AP3100DW	AP6100DW
AQUAPRO AP3100DW / AP6100DW IMPELLOR COVER KIT	Impellor Cover & O Ring	6 / 4	12AD061	12AD062
AQUAPRO AP3100DW / AP6100DW IMPELLOR & SHAFT	Impellor Assembly	5	12AD067	12AD068
AQUAPRO AP3100DW / AP6100DW INLET / OUTLET KIT	Inlet & Outlet O'Ring Set Omni-directional hosetail with locking Nut Threaded Adaptor and O'Ring	7 / 8	12AD063	

WARRANTY

IMPORTANT: IF USED IN MARINE OR SALTWATER, DUE TO THE HARSH CONDITIONS THE WARRANTY IS VOID.

WARRANTY COVERS ONLY APPLIANCE DEFECTS, FAULTY MATERIAL AND WORKMANSHIP WITHIN A 2 YEAR PERIOD.

- Faults arising due to; accidents, misuse, not following manufacturer's guidelines/instructions, or power surges/spikes/brownouts will not be covered.
- The impellor set is a consumable item and is therefore not covered under warranty.
- Warranty will be void if any tampering, removal of warranty labels, or electrical circuitry is evident.
- Warranty will be void if the power cord is cut or damaged in any way.
- Warranty will be void if any visible signs of overheating are present.
- Loss of livestock, damage to property or personal injury caused by this product will not be covered.
- Warranty claims caused by installation faults will not be covered.
- It is the customer's responsibility to return the faulty appliance for any warranty claim to Aquatec.
- For any warranty to be valid, an original proof of purchase must be provided.
- Our goods come with guarantees that cannot be excluded under the Australian Consumer Law. You are entitled to a replacement or refund for a major failure and for compensation for any other reasonably foreseeable loss or damage. You are also entitled to have the goods repaired or replaced if the goods fail to be of acceptable quality and the failure does not amount to a major failure.

**FOR MORE INFORMATION AND THE COMPLETE AQUAPRO RANGE
VISIT WWW.AQUAPROONLINE.COM.AU**

HOTLINE 1300 278 283 PHONE +61 (8) 6260 1000

EMAIL SALES@AQUAPROONLINE.COM.AU

WWW.AQUAPROONLINE.COM.AU