

AQUAPRO

CREATE A BIT OF BRILLIANCE IN YOUR OWN BACKYARD

AP1050 / AP3000 WATER FEATURE PUMP - INSTRUCTIONS -



MODEL
02AS003B
02AP008B

DATE
JUL 2024 v3.0

HOTLINE 1300 278 283 PHONE +61 (8) 6260 1000

EMAIL SALES@AQUAPROONLINE.COM.AU

WWW.AQUAPROONLINE.COM.AU



CONGRATULATIONS ON YOUR PURCHASE OF THIS PRODUCT BY AQUAPRO.

TECHNICAL SPECIFICATIONS

DESCRIPTION	AP1050	AP3000
MAXIMUM WATER FLOW (L/H)	1400	2800
MAXIMUM HEAD (M)	1.75	2.8
POWER CONSUMPTION* (W)	24	60
VOLTAGE* (V)	220 - 240	220 - 240
IP RATING	IPX8	IPX8
OUTLET Ø BSP THREAD (MALE/FEMALE)	13MM / 1/2IN (F)	13MM / 1/2IN (F)
RECOMMENDED TUBING SIZE (MM)	20	25
CABLE LENGTH	10	10

* SUBJECT TO VARIATION ACCORDING TO LOAD.

FEATURES

YOUR AQUAPRO WATER FEATURE PUMP HAS BEEN MANUFACTURED WITH ADVANCED TECHNOLOGY TO PROVIDE YOU WITH THE BEST QUALITY PUMP FOR YOUR POND OR WATER FEATURE.

- AQUAPRO pumps are suitable for use in many different applications including; fountains, water features, ponds and hydroponics.
- Your AQUAPRO pump has a single moving part (an impellor set) therefore enabling easy cleaning and maintenance.
- The motor and electrical components are encapsulated in epoxy resin, ensuring safe operation underwater.

Please read these instructions and familiarise yourself with the equipment before placing it in service. Correct and safe use of the system requires strict compliance with the safety instructions. For safety reasons persons less than 16 years of age or people that are not familiar with these instructions should not use this equipment.

INSTALLATION

1. If required, have a qualified electrician install weatherproof power point near to the pond or water feature, (within the cable length of the pump).
2. Place the pump in desired location, ensure the pump is on a stable surface that is free of sludge, sand and other debris and connect tubing to the outlet or attach fountain kit.
3. Ensure pump is submerged then plug in power cord and switch on.

MAINTENANCE

DISCONNECT POWER CORD FROM THE POWER SUPPLY BEFORE PERFORMING MAINTENANCE. NEVER LIFT THE PUMP BY THE POWER CORD.

- All AQUAPRO submersible pumps are water cooled; if pump becomes restricted it will overheat and could cause permanent damage. Ensure pump does not become blocked or restricted.
 - The power cord cannot be replaced, if the cord is damaged, the pump must be discarded.
 - The impellor set is a wearing consumable part. Regular inspections, cleaning and maintenance of impellor is necessary to ensure longer impellor life.
 - If the impellor set becomes worn or damaged it should be replaced (available from your dealer or special orders). Failure to do so may cause serious damage to pump.
1. Disconnect the power cord from the power supply before performing maintenance.
 2. Remove the pump from water, detach tubing/ fountain kit and remove front cage from pump.
 3. Remove the impellor locking ring/ cover by either turning anti-clockwise and pulling out.
 4. Gently remove the impellor and shaft, use long nose pliers if needed. Take care not to break ceramic shaft (if applicable) because they are brittle.
 5. Clean impellor, checking for any signs of wear or damage.
 6. Reinstall the shaft, and then carefully slide the impellor onto the shaft. The impellor will pull itself in by magnetic force, this is normal. (Take care not to pinch your fingers).
 7. Replace the impellor cover making sure the shaft is located properly on the impellor cover.
 8. Replace the front cage.
 9. Re-attach tubing/fountain kit, submerge in water, connect to power supply and turn on.

PUMP COMPONENTS

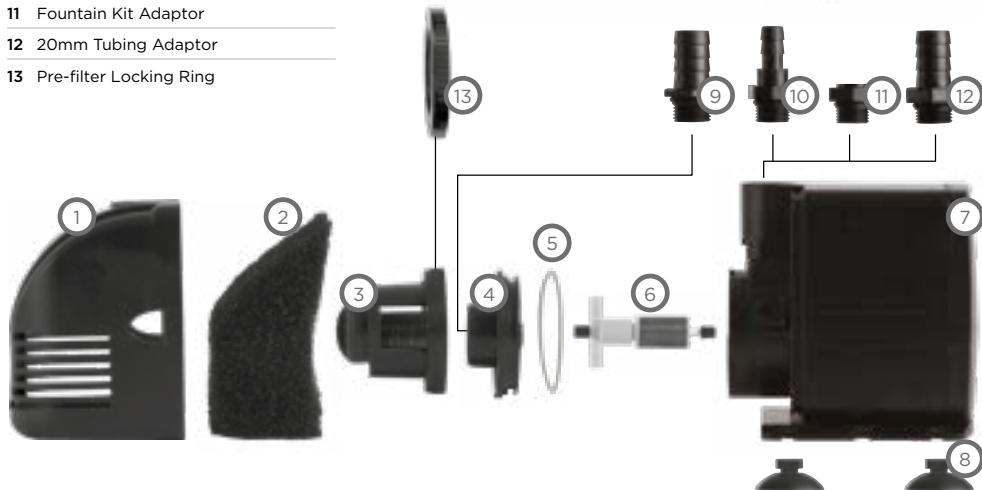
AVAILABLE SPARE PARTS	PART NUMBER
IMPELLOR	11AI246
INTERNAL SPONGE FILTER	11AI406

NOTE:

AVAILABLE SPARE PARTS CAN BE PURCHASED FROM YOUR LOCAL BUNNINGS SPECIAL ORDERS DEPARTMENT

PARTS DESCRIPTION

- 1 Front Cover
- 2 internal Sponge Filter
- 3 Flow Controller/Locking Ring
- 4 Impellor Cover
- 5 O Ring
- 6 Impellor
- 7 Motor Body
- 8 Suction Cap Feet x4
- 9 20mm Inlet Adaptor
- 10 12mm Tubing Adaptor
- 11 Fountain Kit Adaptor
- 12 20mm Tubing Adaptor
- 13 Pre-filter Locking Ring



TROUBLESHOOTING

Problem	Reason	Solution
WATER PUMP NOT WORKING	No Power	Check that the plug is connected and power point turned on.
	Sponges and filter media blocked with sludge.	Clean the sponges and filters.
	Impellor is blocked with sludge or lime scale build up.	Clean the Impellor as per the instructions.
	Running without sufficient water.	Submerge the equipment underwater then plug in. Refill if necessary.
	Blocked Impellor chamber or ceramic shaft is broken.	Clean the Impellor. Check for wear. Replace if necessary.
WATER PUMP IS NOISY	Blockage in pump.	Clear the blockage.
	Impellor & Shaft worn out.	Replace Impellor & Shaft.
	Impellor broken.	Replace Impellor.
	Water valve closed on the inlet or outlet.	Open the valve.
	Unit inlet is blocked or the water pump outlet is blocked.	Clear all blockages.
	The height to which you are pumping is too high for the given model of pump.	Select a bigger model.

IMPORTANT SAFEGUARDS

IMPORTANT: IF USED IN MARINE OR SALTWATER, DUE TO THE HARSH CONDITIONS THE WARRANTY IS VOID.

To guard against injury, basic safety precautions should be observed including, but not limited to the following:

- The pump should only be used in clean water. Do not use the pump in any solvent or gasoline that is flammable.
- Do not operate the pump without water at any time, permanent damage may occur.
- Do not operate the pump if the pump or any of the components of the pump, such as the power cable, have been damaged.
- The drip loop method should be used to prevent water from traveling down the cord onto the plug or power point. If the plug does get wet, do not unplug the cord. Disconnect the circuit breaker that supplies power to the power point. Then unplug and examine the plug and power point for presence of water. If the power point has become wet, you should consult an electrician before using the power point again.
- Always use a properly grounded power supply that is connected to an RCD with a rated residual operating current not exceeding 30mA. As per AS/NZS 3350.2.41:1997.
- Always unplug the pump from the power supply when not in use or before performing any maintenance on the pump. Never pull the cord to disconnect the plug from the power supply. Grasp the plug and pull to disconnect.
- Do not install or store the pump where it will be exposed to extreme hot or cold temperatures.
- Do not cut the cord as this will result in voiding your warranty.
- Care should be taken to arrange the power cord so that it cannot be accidentally tripped over or pulled.
- Do not attempt to repair the pump yourself. Return to an authorised service centre or place of purchase if a fault occurs.
- Do not use in water above 35°C.

WARRANTY

WARRANTY COVERS ONLY APPLIANCE DEFECTS, FAULTY MATERIAL AND WORKMANSHIP WITHIN A 2 YEAR PERIOD.

- Faults arising due to; accidents, misuse, not following manufacturer's guidelines/ instructions, or power surges/spikes/ brownouts will not be covered.
- The impellor set is a consumable item and is therefore not covered under warranty.
- Warranty will be void if any tampering, removal of warranty labels, or electrical circuitry is evident.
- Warranty will be void if the power cord is cut or damaged in any way.
- Warranty will be void if any visible signs of overheating are present.
- Loss of livestock, damage to property or personal injury caused by this product will not be covered.
- Warranty claims caused by installation faults will not be covered.
- It is the customer's responsibility to return the faulty appliance for any warranty claim to Aquatec.
- For any warranty to be valid, an original proof of purchase must be provided.
- Our goods come with guarantees that cannot be excluded under the Australian Consumer Law. You are entitled to a replacement or refund for a major failure and for compensation for any other reasonably foreseeable loss or damage. You are also entitled to have the goods repaired or replaced if the goods fail to be of acceptable quality and the failure does not amount to a major failure.

FOR MORE INFORMATION AND THE COMPLETE AQUAPRO RANGE VISIT WWW.AQUAPROONLINE.COM.AU

HOTLINE 1300 278 283 PHONE +61 (8) 6260 1000

EMAIL SALES@AQUAPROONLINE.COM.AU

WWW.AQUAPROONLINE.COM.AU